



SPECIFICATION

Product Name

Multipole power connector

Part No

SG120 Series

一、 Outline and dimensions : Outline and dimensions of the connector is shown on the following drawing

二、 Technical Parameters:

1 . Product Specifications

1-1.Rated current(Amperes): 120A

1-2.Rated voltage(Volts): 600V

1-3.Insulation Resistance:5000MΩ

1-4.contact Resistance(micro-ohms) : < 140

1-5.Voltage Proof:2200V(DC)

1-6.Life:

a. Without load(Contact/Disconnect Cycles):To 10000

b. With Load(Hot Plug 250 Cycles & 120V):60A

1-7.Flammability:UL94 V-0

1-8.Average.Connection/disconnect(N):120± 5N

a. The pulling capacity between wire and terminal, It' s in line with UL standard

1-9.Contact Barrel Wire Size(AWG):02AWG~6AWG

1- 10.Connector holding force(LBF):450N Min

1- 11.Environment Temperatures(°C):-20°C---125°C

2.Material and Surface performance

2- 1.Material of terminal: Red copper

2-2.Process of production: Precision punching

2-3.Fully Ag-plating on surface, it's Ag-plating thickness is 1μm

2-4.Shrapnel:Stainless steel

2.5.Process of production: Precision punching

2-6.Housing: Material PC

2-7. Process of production: Plastic Injection

三、 (Packing and Storage)

1. Standard packing qty: 30pcs/bag for connector; 60pcs/bag for terminal; mate with way: 1connector uses 2 terminal.

2.The products storage condition: temperature: 5-30 °C ,relative humidity:80%, store in no acidic nor alkaline and no corrosive atmosphere warehouse, storage period: 2years.

SPECIFICATION

Product Name

Multipole power connector

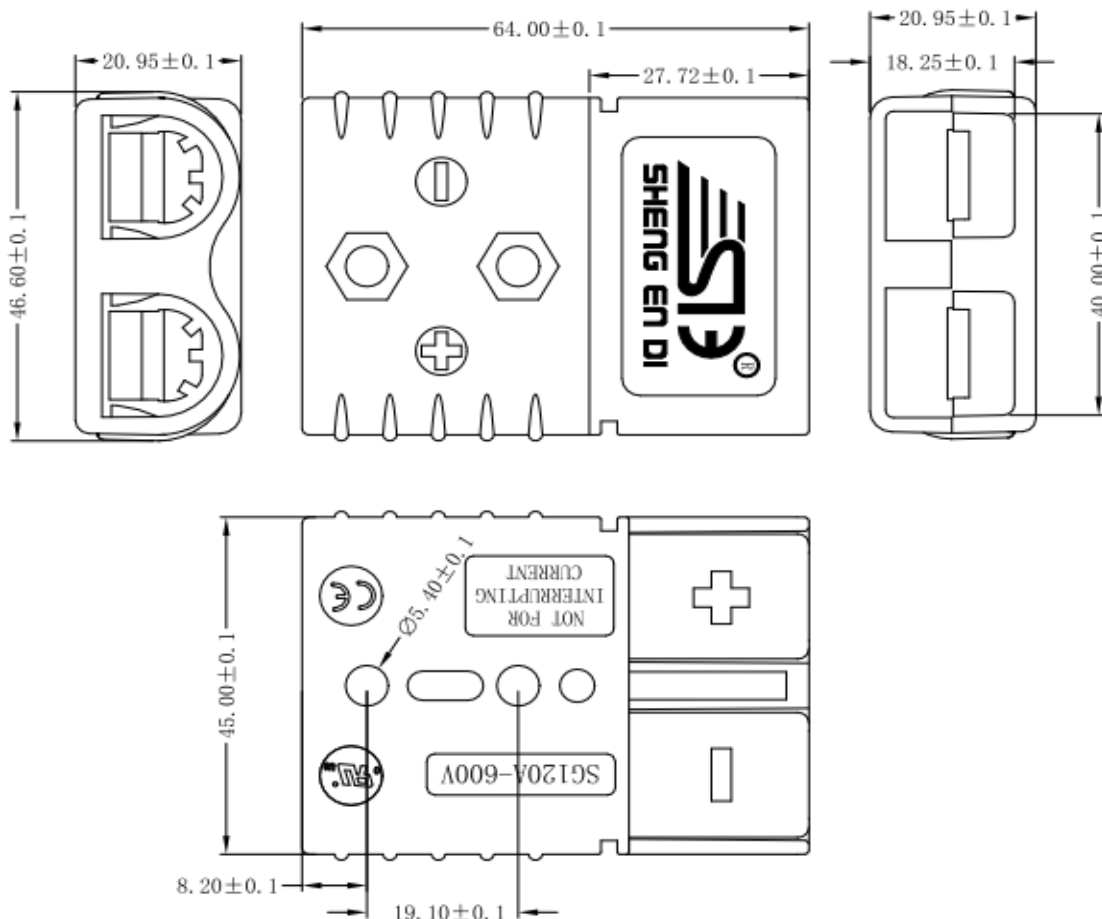
Part No

SG120 Series

四、 Ordering Information

1.Housing

Part Number	Housing Color	Part Number	Housing Color
SG120H-BL	Black	SG120H-GR	Green
SG120H-BR	Brown	SG120H-BU	Blue
SG120H-RE	Red	SG120H-PU	Purple
SG120H-OR	Orange	SG120H-GY	Gray
SG120H-YE	Yellow	SG120L-WH	White



SPECIFICATION

Product Name

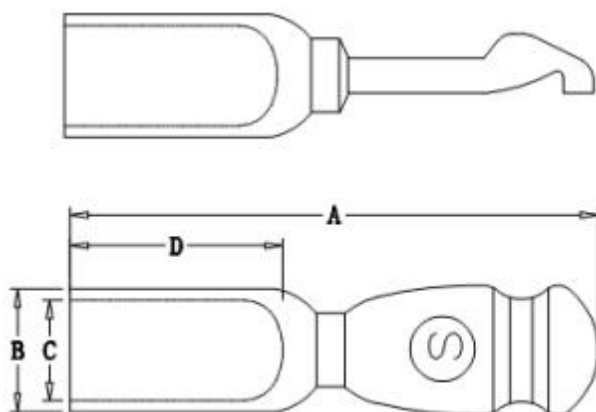
Multipole power connector

Part No

SG120 Series

2.Terminal

Part Number	-A- (mm)	-B- (mm)	-C- (mm)	-D- (mm)	Wire size	Current
SGD6811G2-T	48.6	10.8	8.7	21	2AWG	120A
SGD6811G4-T	48.6	10.8	7.5	21	4AWG	120A
SGD6811G6-T	48.6	10.8	5.6	21	6AWG	120A



Item	Name	QTY	Material	Remarks	Remarks: 1. Please fax to us the CS when you confirmed. (Fax : 0769-27280273) 。 2. If the products listed in the book need to be re-opened for more than 1 year, please fax the copy to our company for confirmation.		
1	Housing	1	PC				
2	Shrapnel	2	Stainless steel				
3	Terminal	2	Red copper	Ag- plating thickness			
Revision	Change the content			Date	Producer	Corrector	Approved
					Anne	Jack	David Xiao
					Proportion		1:1
					Unit		MM

SPECIFICATION

Product Name

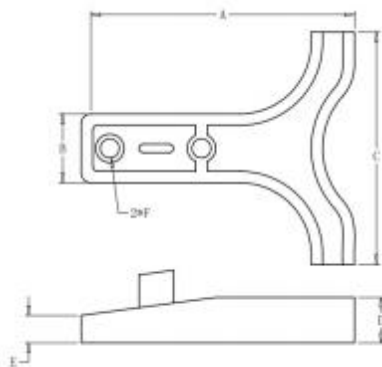
Multipole power connector

Part No

SG120 Series

3.Handle

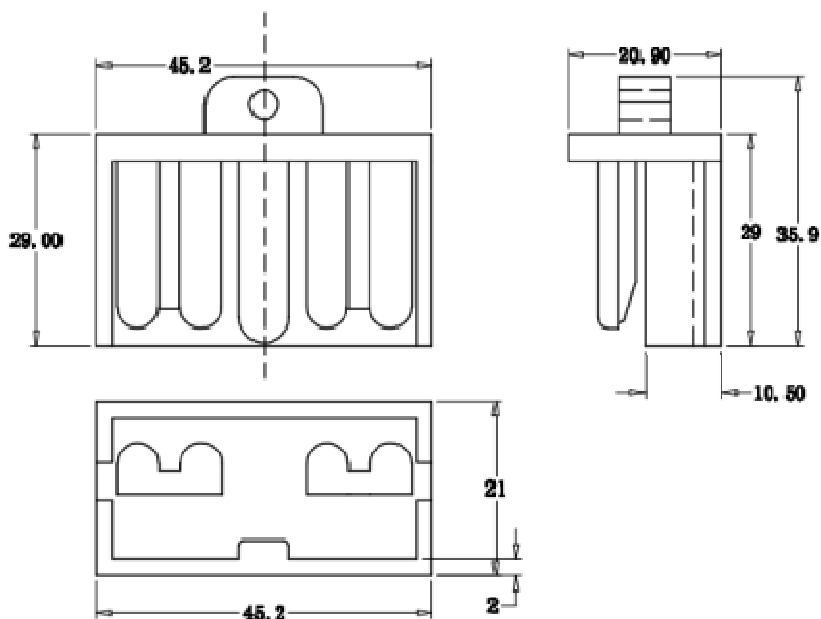
Part Number	-A- (mm)	-B- (mm)	-C- (mm)	-D- (mm)	-E- (mm)	-F- (mm)
SG112G1-RE	5.5	14.5	49	9.6	5.8	4.0
SG112G1-GY	9.6	49	3.5	19.0	14.5	55.5



4. Dust cover:

Part Number

SG112F2-BL



SPECIFICATION

Product Name

Multipole power connector

Part No

SG120 Series

5. Dust cover:

Part Number
SG112F1-RE
SG112F1-BL

